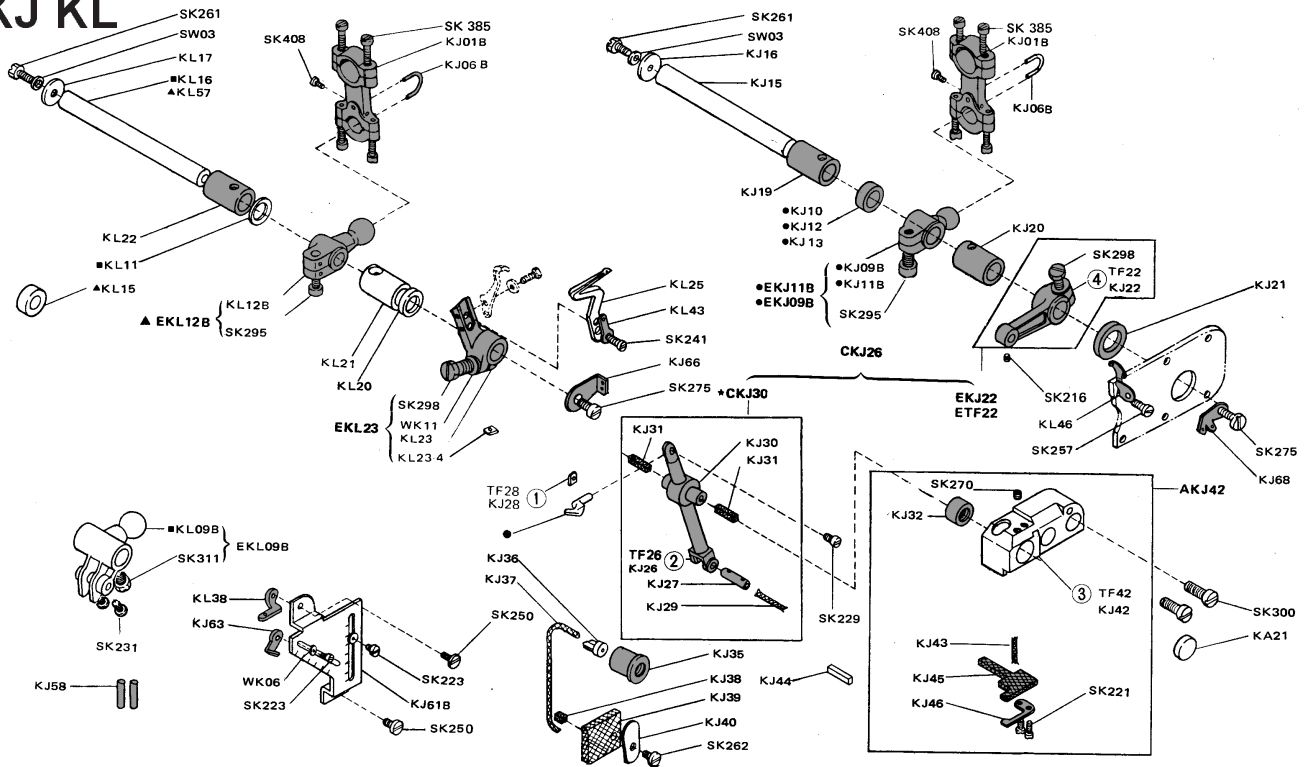


KJ KL



KI. 400 serie, 500 serie, 700 serie, 800 serie

Ricambi per gruppi KJ e KL

Parts list for KJ and KL group

Biella Connecting rod cod. KJ01	Biella Connecting rod cod. KJ01B	Uncino Hook cod. KJ06B	Snodo piegato Ball crank cod. KJ09B	Snodo piegato Ball crank cod. KJ11B
Collare Collar cod. KJ12	Bussola Bushing cod. KJ19	Bussola Bushing cod. KJ20	Anello paraolio Oil seal cod. KJ21	Leva Lever cod. KJ22
Portacrochet sup. Upper looper holder cod. KJ26	Guida Bushing guide cod. KJ30	Perno Pin cod. KJ27	Portacrochet sup. cpl. Upper looper holder asm. cod. KJ30F-C	
Boccola Bushing cod. KJ32	Boccola Bushing cod. KJ35	Feltro Felt cod. KJ45	Piastrina Fixed plate cod. KJ46	Tubetto Tube cod. KJ58

KI. 400 serie, 500 serie, 700 serie, 800 serie

Ricambi per gruppi KJ e KL

Parts list for KJ and KL group

Passafilo Thread guide cod. KJ63	Passafilo Thread guide cod. KJ66	Passafilo Thread guide cod. KJ68	Snodo piegato Ball crank cod. KL12B	Bussola Bushing cod. KL22
Portacrochet inf. Lower looper holder cod. KL23	Passafilo Thread guide cod. KL36	Passafilo Thread guide cod. KL38	Passafilo Thread guide cod. KL43	Passafilo Thread guide cod. KL46