


KI. 840, 902, 953, 958

Piedini scanalati con ago a destra per tracolle
Right needle cording feet for shoulders

Suola liscia - Smooth bottom (A)



Vite Screw cod. 61080-0-11

Vite Screw cod. 52260-0-10

visto da sotto under view

Misura Gutter size


Per la produzione di tracolte con anima interna
For production of shoulders with inside cord

Piedino posteriore <i>Rear foot</i>		Piedino anteriore <i>Front foot</i>
cod. A/P02 (2,0 mm)		cod. A/A02
cod. A/P03 (3,0 mm)		cod. A/A03
cod. A/P04 (4,0 mm)		cod. A/A04
cod. A/P05 (5,0 mm)		cod. A/A05
cod. A/P06 (6,0 mm)		cod. A/A06
cod. A/P07 (7,0 mm)		cod. A/A07
cod. A/P08 (8,0 mm)		cod. A/A08
cod. A/P09 (9,0 mm)		cod. A/A09
cod. A/P10 (10,0 mm)		cod. A/A10
cod. A/P11 (11,0 mm)		cod. A/A11
cod. A/P12 (12,0 mm)		cod. A/A12

KI. 840, 902, 953, 958

Piedini scanalati con ago a sinistra per orlatori
Left needle peeping feet for hammers

Suola liscia - Smooth bottom (C)



Vite Screw cod. 61080-0-11

Vite Screw cod. 52260-0-10


visto da sotto under view

Misura Gutter size

Per l'esecuzione di orlature con anima
For cord hemming operations

Piedino posteriore <i>Rear foot</i>		Piedino anteriore <i>Front foot</i>
cod. C/P02 (2,0 mm)		cod. C/A02
cod. C/P03 (3,0 mm)		cod. C/A03
cod. C/P04 (4,0 mm)		cod. C/A04
cod. C/P05 (5,0 mm)		cod. C/A05
cod. C/P06 (6,0 mm)		cod. C/A06
cod. C/P07 (7,0 mm)		cod. C/A07
cod. C/P08 (8,0 mm)		cod. C/A08
cod. C/P09 (9,0 mm)		cod. C/A09
cod. C/P10 (10,0 mm)		cod. C/A10
cod. C/P11 (11,0 mm)		cod. C/A11
cod. C/P12 (12,0 mm)		cod. C/A12

Suola dentata - Toothed bottom (B)



Vite Screw cod. 61080-0-11

Vite Screw cod. 52260-0-10


visto da sotto under view

Misura Gutter size

Per la produzione di tracolte con anima interna
For production of shoulders with inside cord

Piedino posteriore <i>Rear foot</i>		Piedino anteriore <i>Front foot</i>
cod. B/P02 (2,0 mm)		cod. B/A02
cod. B/P03 (3,0 mm)		cod. B/A03
cod. B/P04 (4,0 mm)		cod. B/A04
cod. B/P05 (5,0 mm)		cod. B/A05
cod. B/P06 (6,0 mm)		cod. B/A06
cod. B/P07 (7,0 mm)		cod. B/A07
cod. B/P08 (8,0 mm)		cod. B/A08
cod. B/P09 (9,0 mm)		cod. B/A09
cod. B/P10 (10,0 mm)		cod. B/A10
cod. B/P11 (11,0 mm)		cod. B/A11
cod. B/P12 (12,0 mm)		cod. B/A12

Suola dentata - Toothed bottom (D)



Vite Screw cod. 61080-0-11

Vite Screw cod. 52260-0-10

visto da sotto under view

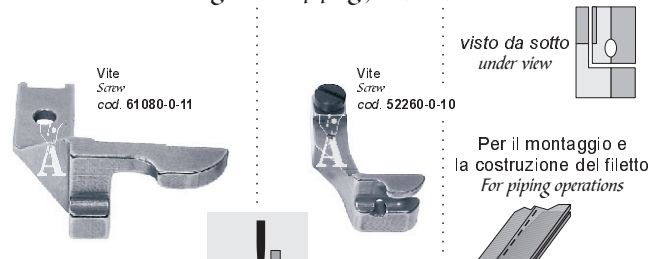
Misura Gutter size

Per l'esecuzione di orlature con anima
For cord hemming operations

Piedino posteriore <i>Rear foot</i>		Piedino anteriore <i>Front foot</i>
cod. D/P02 (2,0 mm)		cod. D/A02
cod. D/P03 (3,0 mm)		cod. D/A03
cod. D/P04 (4,0 mm)		cod. D/A04
cod. D/P05 (5,0 mm)		cod. D/A05
cod. D/P06 (6,0 mm)		cod. D/A06
cod. D/P07 (7,0 mm)		cod. D/A07
cod. D/P08 (8,0 mm)		cod. D/A08
cod. D/P09 (9,0 mm)		cod. D/A09
cod. D/P10 (10,0 mm)		cod. D/A10
cod. D/P11 (11,0 mm)		cod. D/A11
cod. D/P12 (12,0 mm)		cod. D/A12

Piedini scanalati con ago a destra per filetto (PAS)

Right needle piping feet (PAS)



Vite Screw cod. 61080-0-11

Vite Screw cod. 52260-0-10

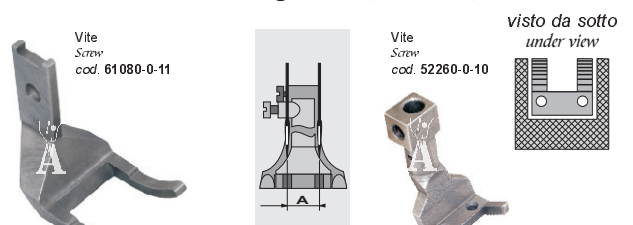
visto da sotto under view

Per il montaggio e la costruzione del filetto
For piping operations

Piedino posteriore <i>Rear foot</i>		Piedino anteriore <i>Front foot</i>
cod. 91-046719-04/53 (3,0 mm)		cod. 91-046720-93/53
cod. 91-046719-04/55 (4,0 mm)		cod. 91-046720-93/55
cod. 91-046719-04/57 (5,0 mm)		cod. 91-046720-93/57
		(= 921109-0-10)
cod. 91-046719-04/59 (6,0 mm)		cod. 91-046720-93/59
cod. 91-046719-04/61 (7,0 mm)		cod. 91-046720-93/60
		(= 921111-0-10)

KI. 922, 924, 978

Piedini due aghi - Feet (two needles)



Vite Screw cod. 61080-0-11

Vite Screw cod. 52260-0-10

visto da sotto under view

Piedino posteriore <i>Rear foot</i>		Piedino anteriore <i>Front foot</i>
cod. 61070-0-01 (4,0 mm)		cod. 61320-0-01
cod. 61070-0-01/11 (4,8 mm)		cod. 61320-0-01/11
cod. 961231-0-00 (6,0 mm)		cod. 961045-0-00
cod. 961232-0-00 (6,4 mm)		cod. 961227-0-00
cod. 961065-0-07 (8,0 mm)		cod. 961062-0-04
cod. 961081-0-08 (10,0 mm)		cod. 961078-0-00
cod. 961091-0-01 (12,0 mm)		cod. 961088-0-00
cod. 961105-0-00 (14,0 mm)		cod. 961102-0-00
cod. 961117-0-01 (16,0 mm)		cod. 961114-0-00
cod. 961132-0-00 (20,0 mm)		cod. 961129-0-00