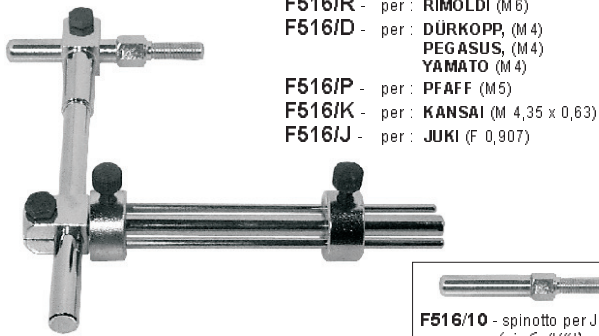


F516 FRENAGGIO SUPERIORE

UPPER TAPE RACK TENSION



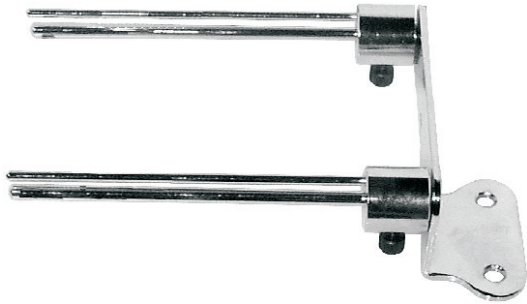
- F516/R - per: RIMOLDI (M6)
- F516/D - per: DÜRKOPP, (M4)
PEGASUS, (M4)
YAMATO (M4)
- F516/P - per: PFAFF (M5)
- F516/K - per: KANSAI (M 4,35 x 0,63)
- F516/J - per: JUKI (F 0,907)



F516/10 - spinotto per JUKI
- (pin for JUKI)

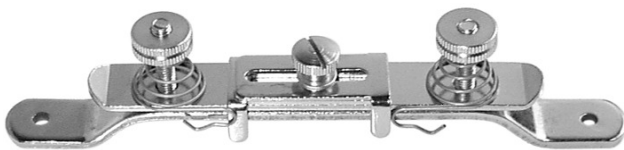
F517 FRENAGGIO LATERALE

SIDE TAPE RACK TENSION



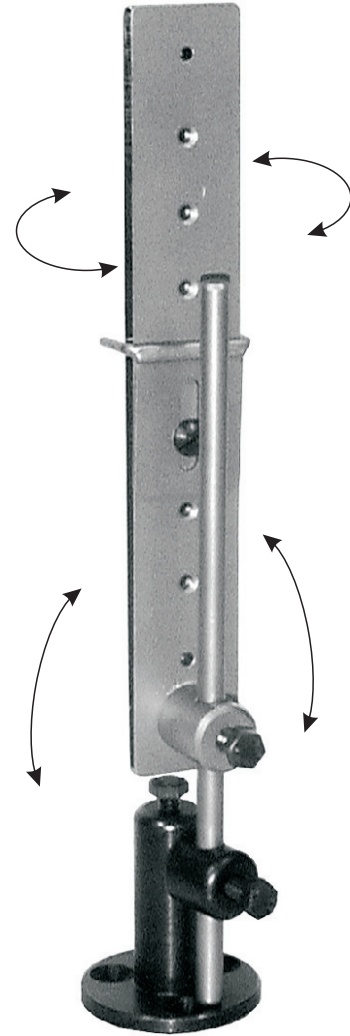
6190 FRENAGGIO REGOLABILE PER FETTUCCE

ADJUSTABLE TAPE RACK TENSION



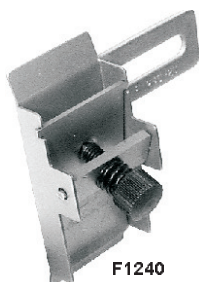
F519 FRENAGGIO LATERALE - ORIENTABILE

SIDE TAPE RACK TENSION - ADJUSTABLE

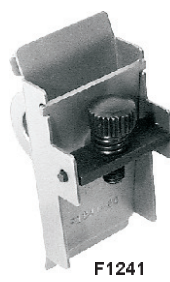


F1240 - 1241 FRENAGGI PER ELASTICO

TAPE RACK TENSIONS FOR ELASTIC



F1240



F1241

- F1240/M - molla (spring)
- F1240/V - vite (screw)
- F1240/L.. - lamella (lamella)
- specificare misura -
- specify measure -

Codice	Elastico (E) (elastic size) (mm) (inch)	Codice	Elastico (E) (elastic size) (mm) (inch)
F1240/8	8 5/16	F1241/8	8 5/16
F1240/10	10 25/64	F1241/10	10 25/64
F1240/12	12 15/32	F1241/12	12 15/32
F1240/15	15 19/32	F1241/15	15 19/32
F1240/20	20 25/32	F1241/20	20 25/32
F1240/25	25 1	F1241/25	25 1
F1240/30	30 1-3/16	F1241/30	30 1-3/16
F1240/35	35 1-3/8	F1241/35	35 1-3/8
F1240/40	40 1-9/16	F1241/40	40 1-9/16