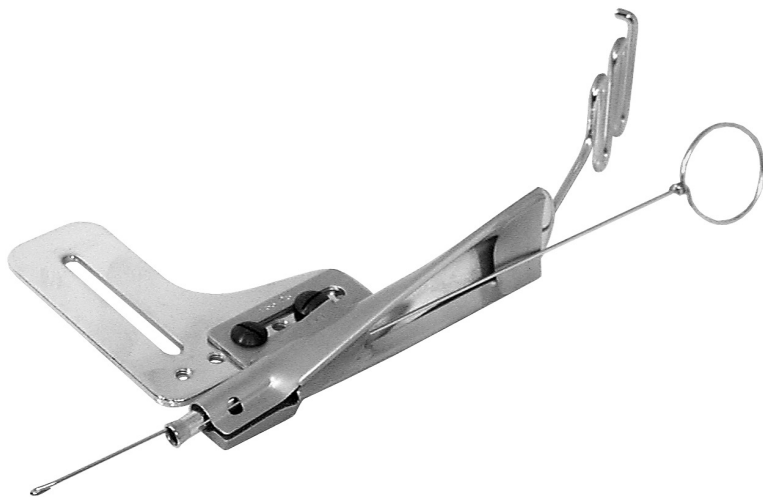
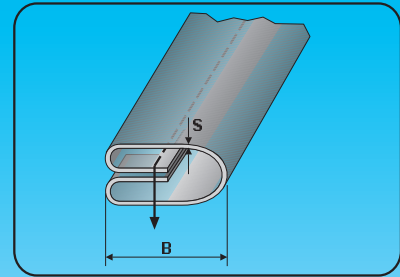


## F53 GUIDA PER SPAGHETTI

*Per macchine piane*  
*For flat bed machines*



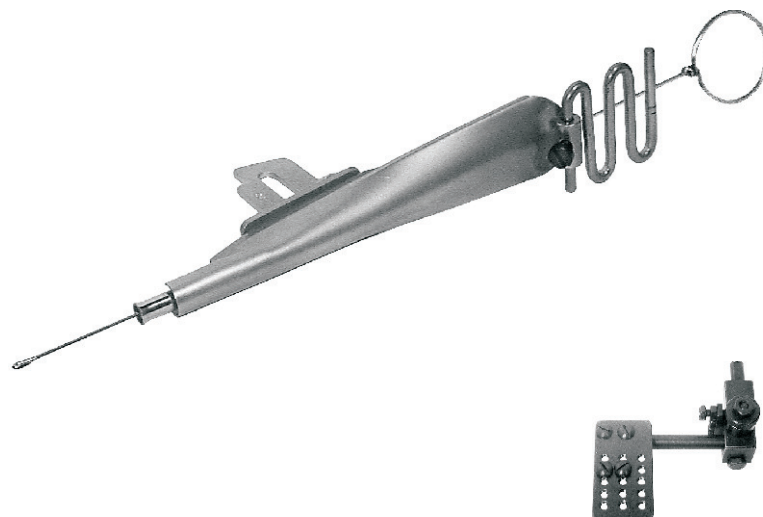
SPAGHETTI ATTACHMENT



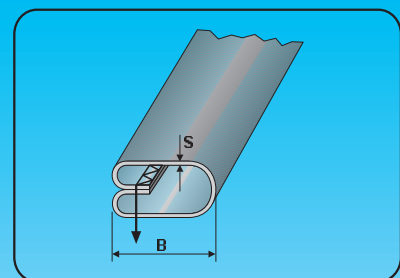
| Codice | Entrata (A)<br>(tape size)<br>(mm) (inch) | Lav. finito (B)<br>(finished size)<br>(mm) (inch) | Spessore (S)<br>(thickness) |
|--------|---|---|-----------------------------|
| F53/14 | 14 9/16                                   | 3,5 9/64  | M                           |
| F53/16 | 16 5/8                                    | 4 5/32  | M                           |
| F53/19 | 19 3/4                                    | 5 13/64   | M                           |
| F53/22 | 22 7/8                                    | 5,5 7/32  | M                           |
| F53/25 | 25 1                                      | 6 15/64   | M                           |
| F53/28 | 28 1-1/8                                  | 8 5/16  | M                           |
| F53/30 | 30 1-3/16                                 | 8,7 11/32   | M                           |
| F53/32 | 32 1-1/4                                  | 9,5 3/8   | M                           |
| F53/35 | 35 1-3/8                                  | 10 25/64  | M                           |
| F53/38 | 38 1-1/2                                  | 11 7/16   | M                           |
|        |   |   |                             |
|        |   |   |                             |
|        |   |   |                             |
|        |   |   |                             |

## F54 GUIDA PER SPAGHETTI

*Per macchine taglia-cuci*  
*For overlock machines*



SPAGHETTI ATTACHMENT



| Codice | Entrata (A)<br>(tape size)<br>(mm) (inch) | Lav. finito (B)<br>(finished size)<br>(mm) (inch) | Spessore (S)<br>(thickness) |
|--------|---|---|-----------------------------|
| F54/14 | 14 9/16                                   | 3,5 9/64  | M                           |
| F54/16 | 16 5/8                                    | 4 5/32  | M                           |
| F54/19 | 19 3/4                                    | 5 13/64   | M                           |
| F54/22 | 22 7/8                                    | 5,5 7/32  | M                           |
| F54/25 | 25 1                                      | 6 15/64   | M                           |
| F54/28 | 28 1-1/8                                  | 8 5/16  | M                           |
| F54/30 | 30 1-3/16                                 | 8,7 11/32   | M                           |
| F54/32 | 32 1-1/4                                  | 9,5 3/8   | M                           |
| F54/35 | 35 1-3/8                                  | 10 25/64  | M                           |
| F54/38 | 38 1-1/2                                  | 11 7/16   | M                           |
|        |   |   |                             |
|        |   |   |                             |
|        |   |   |                             |
|        |   |   |                             |

Consultare pag. 89 per la panoramica degli attacchi da utilizzare.  
*Pls. see pag. 89 for all brackets to be used*