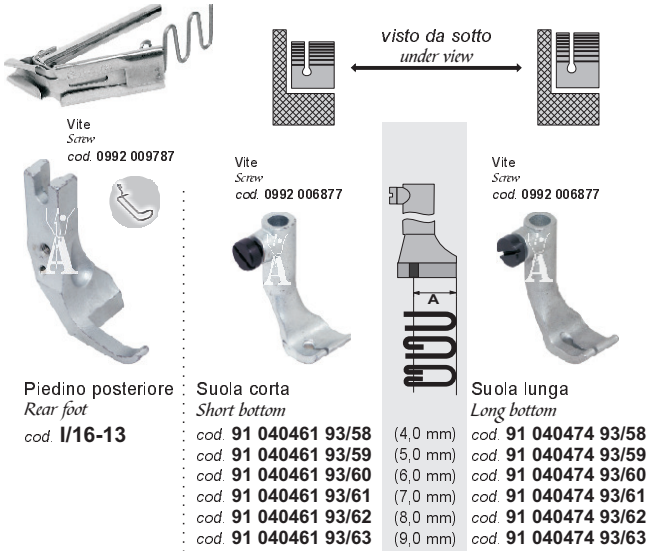


KI. 67, 167, 267

Piedini per bordatori - Feet for binders

KI. 167, 267



Vite Screw cod. 0992 009787

Vite Screw cod. 0992 006877

Vite Screw cod. 0992 006877

visto da sotto under view

Piedino posteriore Rear foot cod. **I/16-13**

Suola corta Short bottom

Suola lunga Long bottom

cod. 91 040461 93/58 (4,0 mm)	cod. 91 040474 93/58 (5,0 mm)
cod. 91 040461 93/59 (5,0 mm)	cod. 91 040474 93/59 (6,0 mm)
cod. 91 040461 93/60 (6,0 mm)	cod. 91 040474 93/60 (7,0 mm)
cod. 91 040461 93/61 (7,0 mm)	cod. 91 040474 93/61 (8,0 mm)
cod. 91 040461 93/62 (8,0 mm)	cod. 91 040474 93/62 (9,0 mm)
cod. 91 040461 93/63 (9,0 mm)	

Piedini per bordare - Feet for binding tape operations



Vite Screw cod. 0992 009787

Vite Screw cod. 0992 006877

visto da sotto under view

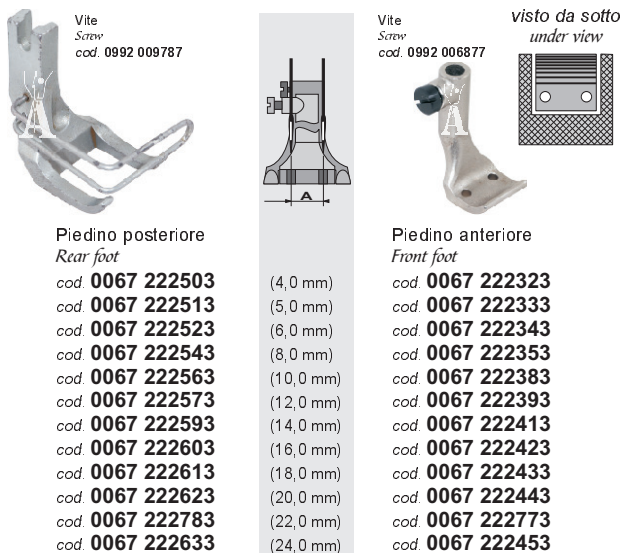
Piedino posteriore Rear foot cod. **0067 220810**

Piedino anteriore Front foot cod. **0067 220803**

Per la trasformazione completa vedi pag. 8
For binding set see page 8

Piedini due aghi - Feet (two needles)

KI. 167-273, 267-273, 167FA-273, 267FA-273 rasafilo, thread trimmer



Vite Screw cod. 0992 009787

Vite Screw cod. 0992 006877

visto da sotto under view

Piedino posteriore Rear foot

Piedino anteriore Front foot

cod. 0067 222503 (4,0 mm)	cod. 0067 222323 (4,0 mm)
cod. 0067 222513 (5,0 mm)	cod. 0067 222333 (5,0 mm)
cod. 0067 222523 (6,0 mm)	cod. 0067 222343 (6,0 mm)
cod. 0067 222543 (8,0 mm)	cod. 0067 222353 (8,0 mm)
cod. 0067 222563 (10,0 mm)	cod. 0067 222383 (10,0 mm)
cod. 0067 222573 (12,0 mm)	cod. 0067 222393 (12,0 mm)
cod. 0067 222593 (14,0 mm)	cod. 0067 222413 (14,0 mm)
cod. 0067 222603 (16,0 mm)	cod. 0067 222423 (16,0 mm)
cod. 0067 222613 (18,0 mm)	cod. 0067 222433 (18,0 mm)
cod. 0067 222623 (20,0 mm)	cod. 0067 222443 (20,0 mm)
cod. 0067 222783 (22,0 mm)	cod. 0067 222773 (22,0 mm)
cod. 0067 222633 (24,0 mm)	cod. 0067 222453 (24,0 mm)

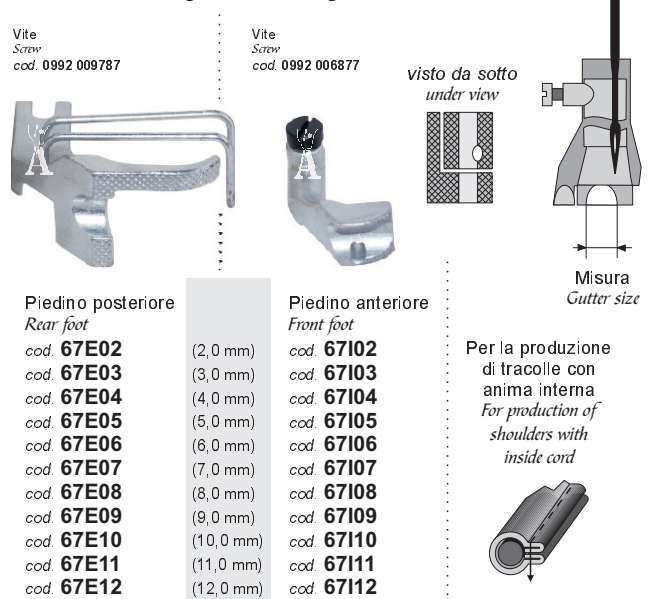
Per la trasformazione a due aghi completa vedi pag. 9
For two needles set see page 9

Tutti i Ns. piedini posteriori sono completi di salvadita
All Our rear feet are equipped with finger guard

KI. 67, 167, 267

Piedini scanalati con ago a destra per tracolle

Right needle cording feet for shoulders



Vite Screw cod. 0992 009787

Vite Screw cod. 0992 006877

visto da sotto under view

Misura Gutter size

Piedino posteriore Rear foot

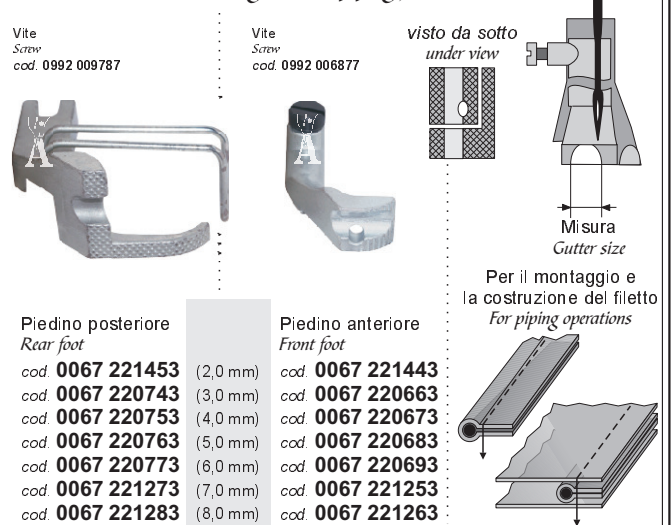
Piedino anteriore Front foot

cod. 67E02 (2,0 mm)	cod. 67I02 (2,0 mm)
cod. 67E03 (3,0 mm)	cod. 67I03 (3,0 mm)
cod. 67E04 (4,0 mm)	cod. 67I04 (4,0 mm)
cod. 67E05 (5,0 mm)	cod. 67I05 (5,0 mm)
cod. 67E06 (6,0 mm)	cod. 67I06 (6,0 mm)
cod. 67E07 (7,0 mm)	cod. 67I07 (7,0 mm)
cod. 67E08 (8,0 mm)	cod. 67I08 (8,0 mm)
cod. 67E09 (9,0 mm)	cod. 67I09 (9,0 mm)
cod. 67E10 (10,0 mm)	cod. 67I10 (10,0 mm)
cod. 67E11 (11,0 mm)	cod. 67I11 (11,0 mm)
cod. 67E12 (12,0 mm)	cod. 67I12 (12,0 mm)

Per la produzione di tracolle con anima interna
For production of shoulders with inside cord

Piedini scanalati con ago a destra per filetto

Right needle piping feet



Vite Screw cod. 0992 009787

Vite Screw cod. 0992 006877

visto da sotto under view

Misura Gutter size

Piedino posteriore Rear foot

Piedino anteriore Front foot

cod. 0067 221453 (2,0 mm)	cod. 0067 221443 (2,0 mm)
cod. 0067 220743 (3,0 mm)	cod. 0067 220663 (3,0 mm)
cod. 0067 220753 (4,0 mm)	cod. 0067 220673 (4,0 mm)
cod. 0067 220763 (5,0 mm)	cod. 0067 220683 (5,0 mm)
cod. 0067 220773 (6,0 mm)	cod. 0067 220693 (6,0 mm)
cod. 0067 221273 (7,0 mm)	cod. 0067 221253 (7,0 mm)
cod. 0067 221283 (8,0 mm)	cod. 0067 221263 (8,0 mm)

Per il montaggio e la costruzione del filetto
For piping operations

Piedini scanalati con ago a sinistra

Left needle piping feet



Vite Screw cod. 0992 009787

Vite Screw cod. 0992 006877

visto da sotto under view

Misura Gutter size

Piedino posteriore Rear foot

Piedino anteriore Front foot

cod. 0067 221463 (3,0 mm)	cod. 0067 221403 (3,0 mm)
cod. 0067 221473 (4,0 mm)	cod. 0067 221413 (4,0 mm)
cod. 0067 221483 (5,0 mm)	cod. 0067 221423 (5,0 mm)
cod. 0067 221493 (6,0 mm)	cod. 0067 221433 (6,0 mm)
cod. 0067 221563 (7,0 mm)	cod. 0067 221543 (7,0 mm)
cod. 0067 221573 (8,0 mm)	cod. 0067 221553 (8,0 mm)

Per l'esecuzione di orlature con anima
For cord hemming operations