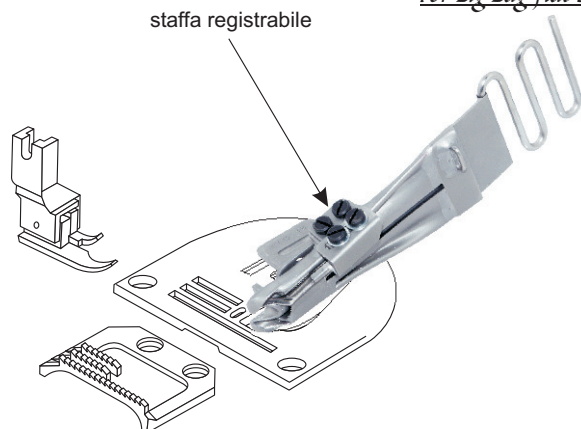
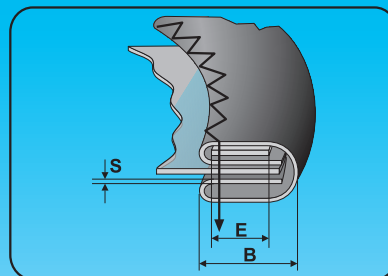


## F495B BORDATORE SU PLACCA - DOPPIA PIEGA CON INSERIMENTO DI ELASTICO

*Per macchine piane zig-zag  
For zig-zag flat bed machines*



*RIGHT ANGLE DOUBLE BINDER  
FOR ELASTIC INSERTION*



### GRUPPI COMPLETI - SEPARATI COMPLETE SETS - SEPARATED

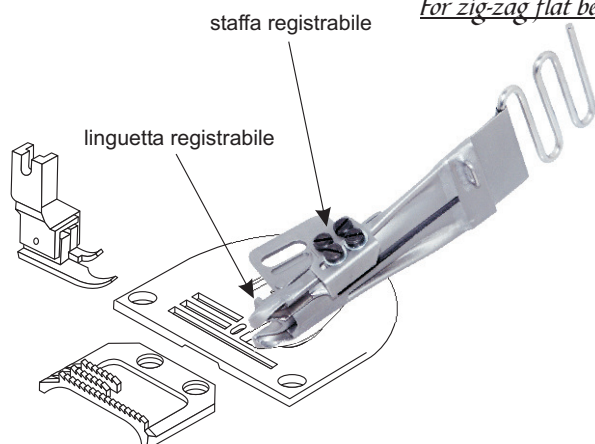
(Placca, Griffa, Piedino) (Needle plate, Feed dog, Foot)

		PLACCA NeedlePlate	GRIFFA Feed Dog	PIEDINO Foot
- BERNINA 217	(zig-zag)	cod. 15490	cod. 15492	cod. N602ZZ
- BROTHER 856	(zig-zag)	cod. 15520	cod. 15521	cod. 15522
- DÜRKOPP 265	(zig-zag)	cod. 15510	cod. 15511	cod. N602ZZ
- JUKI LZ2280, 2290	(zig-zag)	cod. 15520	cod. 15521	cod. 15522
- NECCHI 720, 750	(zig-zag)	cod. 15560	cod. 15561	cod. N602ZZ
- PFAFF 138, 238	(zig-zag)	cod. 15600	cod. 15601	-----
- PFAFF 438	(zig-zag)	cod. 15610	cod. 15611	cod. N602ZZ
- REFREY 930	(zig-zag)	cod. 15490	cod. 15492	cod. N602ZZ
- SINGER 457	(zig-zag)	cod. 15520	cod. 15521	cod. 15522

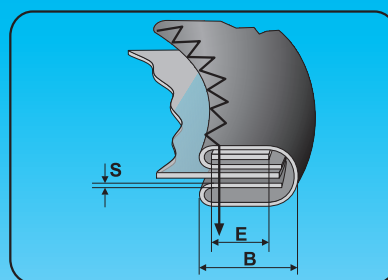
Codice (SOLO BECCUCCIO)	Entrata (A) (tape size) (mm) (inch)	Lav. finito (B) (finished size) (mm) (inch)	Elastico (E) (elastic size) (mm) (inch)
F495B/20M	20 25/32	5 3/16	4 5/32
F495B/22M	22 7/8	6 1/4	5 3/16
F495B/25M	25 1	7 9/32	6 1/4
F495B/28M	28 1-1/8	8 5/16	7 9/32
F495B/30M	30 1-3/16	9 11/32	8 5/16
F495B/32M	32 1-1/4	10 3/8	9 11/32
F495B/35M	35 1-3/8	11 7/16	10 3/8
F495B/38M	38 1-1/2	12 1/2	10 3/8
F495B/40M	40 1-9/16	13 33/64	12 1/2
F495B/42M	42 1-21/32	14 9/16	12 1/2
F495B/45M	45 1-3/4	15 19/32	14 9/16

## F487B BORDATORE SU PLACCA - DOPPIA PIEGA CON INSERIMENTO DI ELASTICO

*Per macchine piane zig-zag  
For zig-zag flat bed machines*



*RIGHT ANGLE DOUBLE BINDER  
FOR ELASTIC INSERTION*



### GRUPPI COMPLETI - SEPARATI COMPLETE SETS - SEPARATED

(Placca, Griffa, Piedino) (Needle plate, Feed dog, Foot)

		PLACCA NeedlePlate	GRIFFA Feed Dog	PIEDINO Foot
- BERNINA 217	(zig-zag)	cod. 15490	cod. 15492	cod. N602ZZ
- BROTHER 856	(zig-zag)	cod. 15520	cod. 15521	cod. 15522
- DÜRKOPP 265	(zig-zag)	cod. 15510	cod. 15511	cod. N602ZZ
- JUKI LZ2280, 2290	(zig-zag)	cod. 15520	cod. 15521	cod. 15522
- NECCHI 720, 750	(zig-zag)	cod. 15560	cod. 15561	cod. N602ZZ
- PFAFF 138, 238	(zig-zag)	cod. 15600	cod. 15601	-----
- PFAFF 438	(zig-zag)	cod. 15610	cod. 15611	cod. N602ZZ
- REFREY 930	(zig-zag)	cod. 15490	cod. 15492	cod. N602ZZ
- SINGER 457	(zig-zag)	cod. 15520	cod. 15521	cod. 15522

Codice (SOLO BECCUCCIO)	Entrata (A) (tape size) (mm) (inch)	Lav. finito (B) (finished size) (mm) (inch)	Elastico (E) (elastic size) (mm) (inch)
F487B/20M	20 25/32	5 3/16	4 5/32
F487B/22M	22 7/8	6 1/4	5 3/16
F487B/25M	25 1	7 9/32	6 1/4
F487B/28M	28 1-1/8	8 5/16	7 9/32
F487B/30M	30 1-3/16	9 11/32	8 5/16
F487B/32M	32 1-1/4	10 3/8	9 11/32
F487B/35M	35 1-3/8	11 7/16	10 3/8
F487B/38M	38 1-1/2	12 1/2	10 3/8
F487B/40M	40 1-9/16	13 33/64	12 1/2
F487B/42M	42 1-21/32	14 9/16	12 1/2
F487B/45M	45 1-3/4	15 19/32	14 9/16