

## F100PL BORDATORE SEMPLICE PER FETTUCCHE IN PLASTICA

*Per macchine piane  
For flat bed machines*

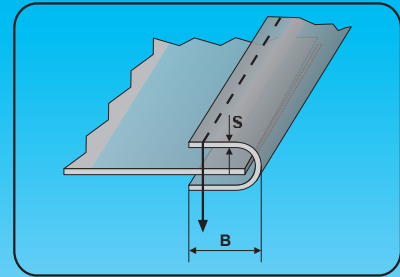


PIEDINI CONSIGLIATI  
SUGGESTED FEET



- G601 fino a 4mm
- G602 fino a 5mm
- N603 fino a 6mm
- G604 fino a 7mm
- N605 oltre 8mm

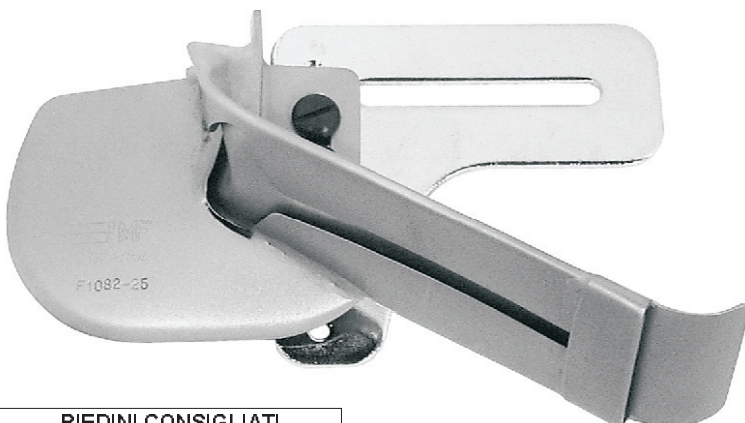
*SINGLE BINDER  
FOR STIFF RIBBONS*



Codice	Entrata (A) (tape size) (mm) (inch)	Lav. finito (B) (finished size) (mm) (inch)	Spessore (S) (thickness)
F100PL/12	12 31/64	6 1/4	M
F100PL/14	14 9/16	7 9/32	M
F100PL/15	15 19/32	7,5 19/64	M
F100PL/16	16 5/8	8 5/16	M
F100PL/19	19 3/4	9,5 3/8	M
F100PL/20	20 25/32	10 25/64	M
F100PL/22	22 7/8	11 7/16	M
F100PL/25	25 1	12,5 1/2	M
F100PL/30	30 1-3/16	15 19/32	M
F100PL/35	35 1-3/8	17,5 11/16	M
F100PL/40	40 1-9/16	20 25/32	M
F100PL/45	45 1-3/4	22,5 7/8	M
F100PL/50	50 2	25 1	M

## F1082 BORDATORE A PIEGA SEMPLICE INCLINATO

*Per macchine piane  
For flat bed machines*

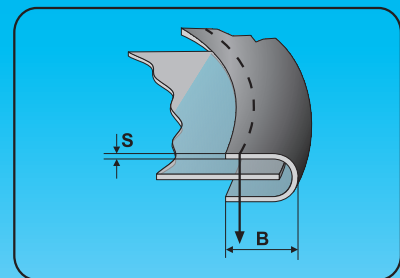


PIEDINI CONSIGLIATI  
SUGGESTED FEET



- G601 fino a 4mm
- G602 fino a 5mm
- N603 fino a 6mm
- G604 fino a 7mm
- N605 oltre 8mm

*SINGLE BINDER*



Codice	Entrata (A) (tape size) (mm) (inch)	Lav. finito (B) (finished size) (mm) (inch)	Spessore (S) (thickness)
F1082/10	10 25/64	5 3/16	M
F1082/12	12 31/64	6 1/4	M
F1082/14	14 9/16	7 9/32	M
F1082/16	16 5/8	8 5/16	M
F1082/18	18 23/32	9 23/64	M
F1082/20	20 25/32	10 25/64	M
F1082/22	22 7/8	11 7/16	M
F1082/24	24 15/166	12 15/32	M
F1082/26	26 1-1/32	13 33/64	M
F1082/28	28 1-1/8	14 9/16	M
F1082/30	30 1-3/16	15 19/32	M
F1082/32	32 1-1/4	16 5/8	M
F1082/35	35 1-3/8	17,5 11/16	M
F1082/38	38 1-1/2	19 3/4	M
F1082/40	40 1-9/16	20 25/32	M