



Affilatori e smerigli

Abrasive bands and straight cutters



Mole per taglierine rotative - Grinding wheel for round cutters

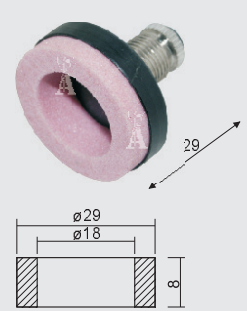
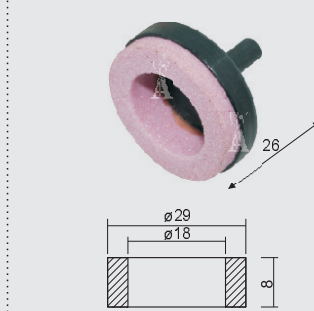
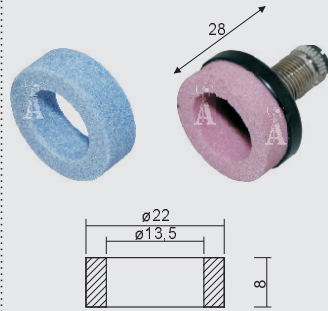
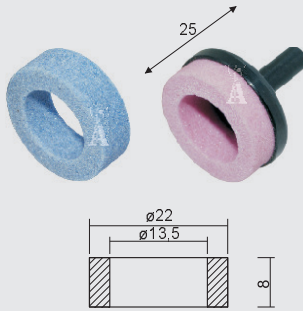
SECAT

kl. SF60, 70, 80, PNE80, SR7Q

kl. SR7, SR9, SRM100

kl. SR9Q, SR91, SR10Q, SR101, SR102, SR104, SR122, SR124, PNR102, PNR122, SRT102, SF90, PNE90

kl. SR10, SRT10, SR12, SR15, PNR10



cod. **12127**
- mola
- grinding wheel

cod. **12122**
- smeriglio cpl.
- grinding wheel asm.

cod. **12127**
- mola
- grinding wheel

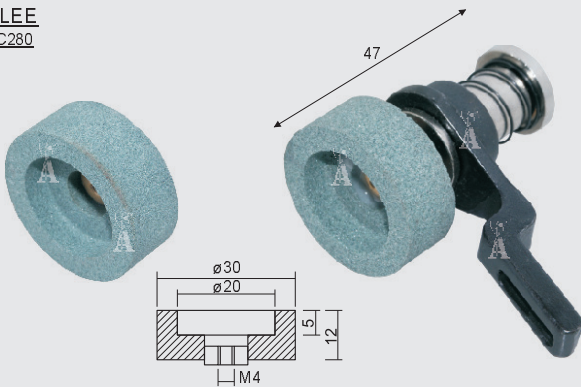
cod. **12107**
- smeriglio cpl.
- grinding wheel asm.

cod. **12154**
- smeriglio cpl.
- grinding wheel asm.

cod. **12152**
- smeriglio cpl.
- grinding wheel asm.

SU LEE

kl. RC280

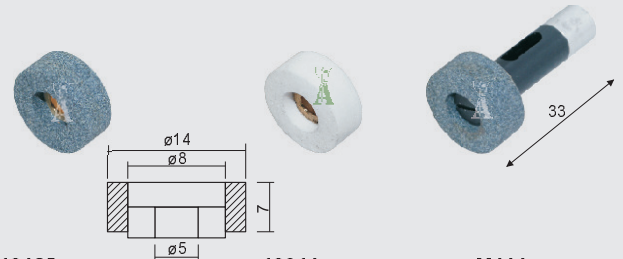


cod. **8089/S150** (S150)
- mola
- grinding wheel

cod. **8089/S150C** (S149+S150+S152)
- mola
- grinding wheel

SUPRENA

kl. HC-1007A-C, HC-1015A-C, PC-1062-C, CR-100A, ecc.



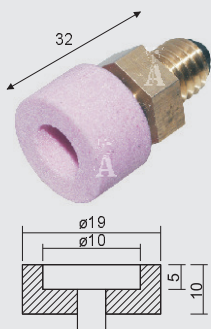
cod. **10485** (M/688-Z)
- mola grana media
- grinding wheel, medium grit

cod. **10614** (M/1688-Z)
- mola grana fine
- grinding wheel, fine grit

cod. **M444**
- smeriglio cpl.
- grinding wheel asm.

SU-LEE

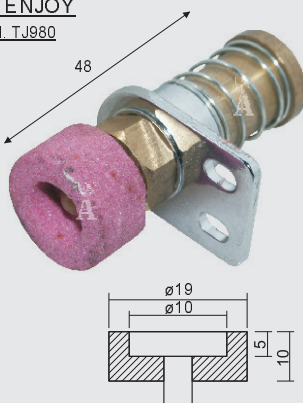
kl. ST-360



cod. **8088/2626**
- mola affilatore
- sharpener stone

TENJOY

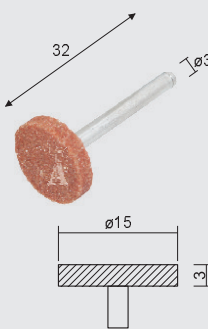
kl. TJ980



cod. **HZ-19**
- smeriglio cpl.
- grinding wheel asm.

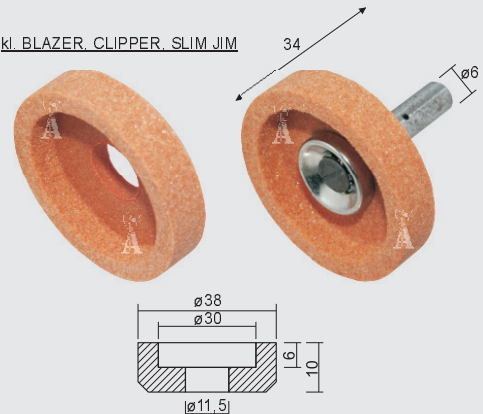
WOLF

kl. PUP



cod. **2542500**
- smeriglio cpl.
- grinding wheel asm.

kl. BLAZER, CLIPPER, SLIM JIM



cod. **4548300**
- mola
- grinding wheel

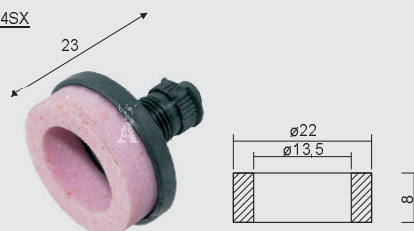
cod. **4548050**
- smeriglio cpl.
- grinding wheel asm.

Mole per tagliacollaretti

Grinding wheel for collaretti cutting machines

FALBO

kl. FB/95, FB/97, FB/84SX



cod. **750/..10150** (4030+4032)
- smeriglio cpl.
- grinding wheel asm.